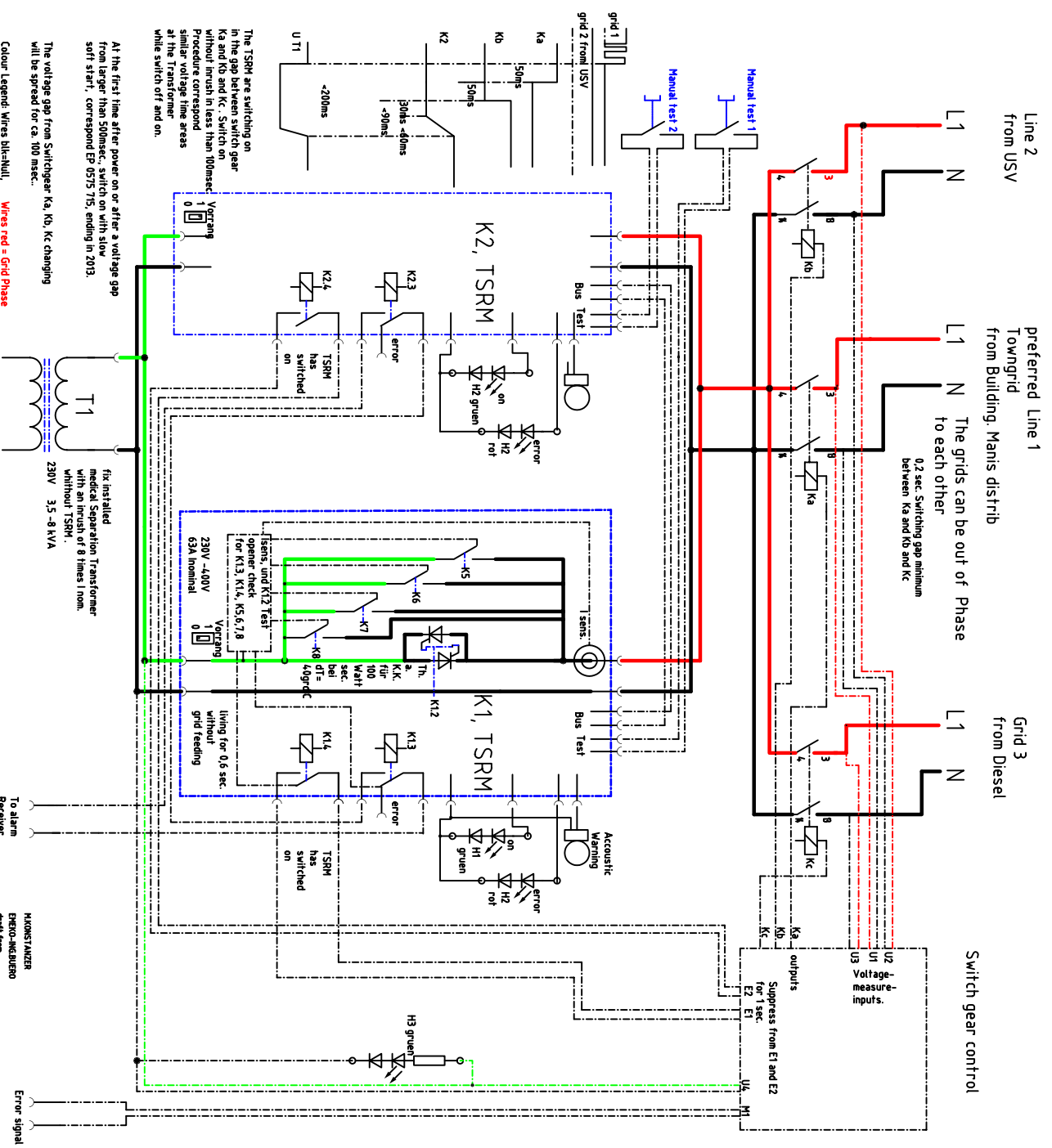


Softstart for IT-Transfo, when 2 TSRM are placed in front of transfo correspond EN61558 from Summer 09, with 2 redundancy TSRM for max. 63A.



The TSRM are switching on in the gap between switch gear K2 and K1 and Kc. Switch on without inrush in less than 100msec. Procedure correspond similar voltage time areas at the Transformer while switch off and on.

At the first time after power on or after a voltage gap from larger than 500msec., switch on with slow soft start, correspond EP 0515 715, ending in 2013.

The voltage gap from Switchgear Ka, Kb, Kc changing will be spread for ca. 100 msec.

Colour Legend: Wires black=Null, Wires red = Grid Phase
Wires green=From TSRM switched = Phase
Blue = Micanit

Both TSRM are switched on normally. Self checking after after a predicted time. Opening from K5-K8 and check with I-sens. for conducting current. For that in the other TSRM also opening from K5-8. The current split for both TSRM. Information between both TSRM along the bus.

fix installed medical Separation Transformer with an inrush of 8 times 1 nom. without TSRM.
230V 35 - 8 kVA
Switch on with TSRM, inrush is avoided under all circumstances

TSRM are capable for hotswapping.

MINIUMSTÄTZER ERNÜHRUNGSDIENST
18.11.09

TSRM-APL-MED-TR-47-VDE-ENGL.DWG