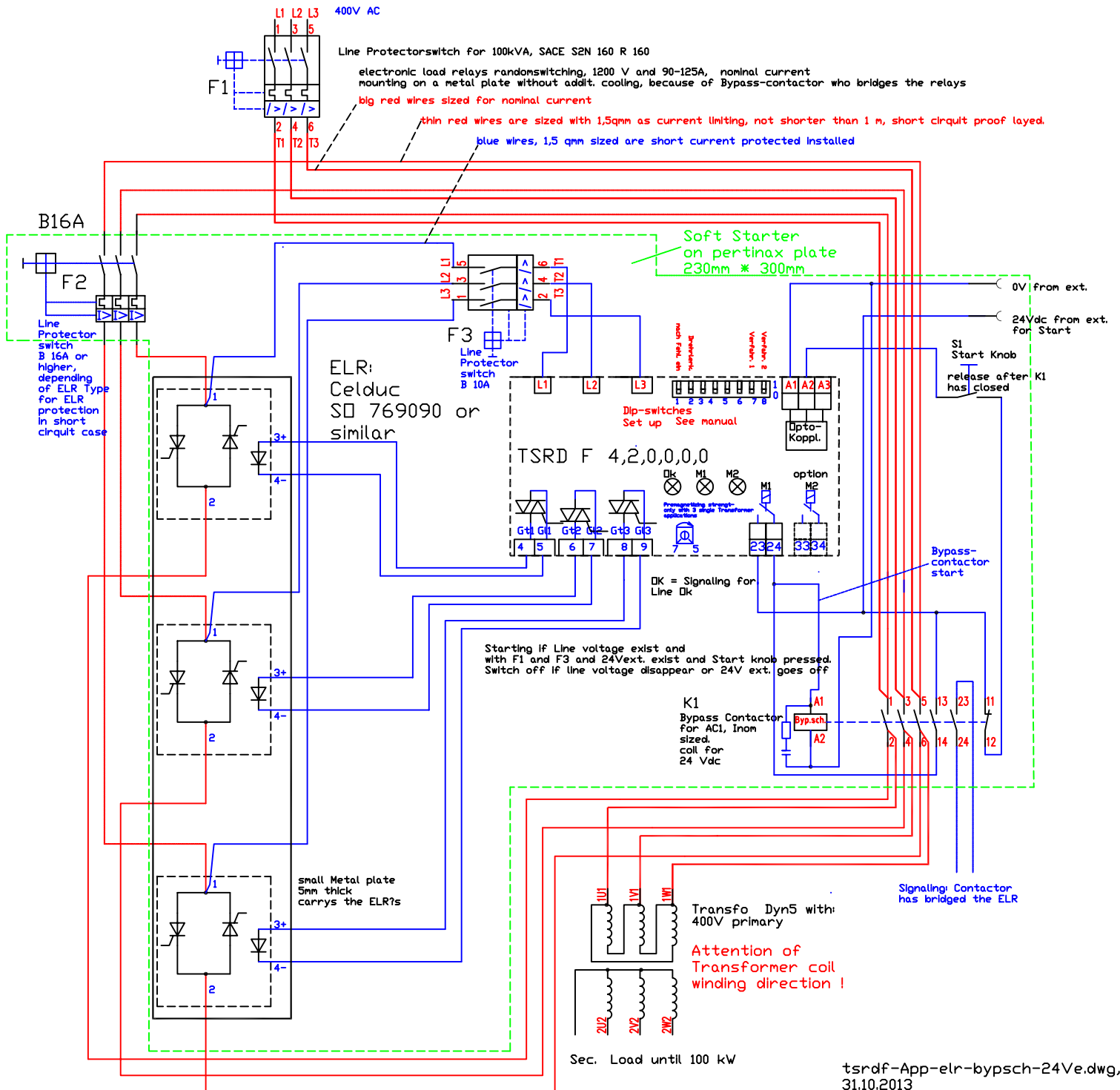


3 Phase Transformer Softstarter with Bypass Contactor for 24-100kVA and more.



tsrdf-App-elr-byps-24Ve.dwg, 31.10.2013

TSRDF with electronic load relays randomsw., and the small line protectors, are fixed on the pertinax plate with 230 mal 300mm. The Bypass contactor and the Line protector switch and the Softstarter are fixed together on a Pertinaxplate with 260 times 675 mm.

Emeko Ing. Büro
MKonstanzer
79114 Frelburg
0761 441803