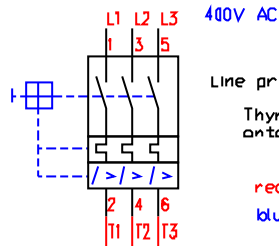


Control unit to switch 100 kVA Transformers with resistive loads without Inrush current peaks with Pulse groups with fast switching rates, every second



Line protector für 100kVA, SACE S2N 160 R 160

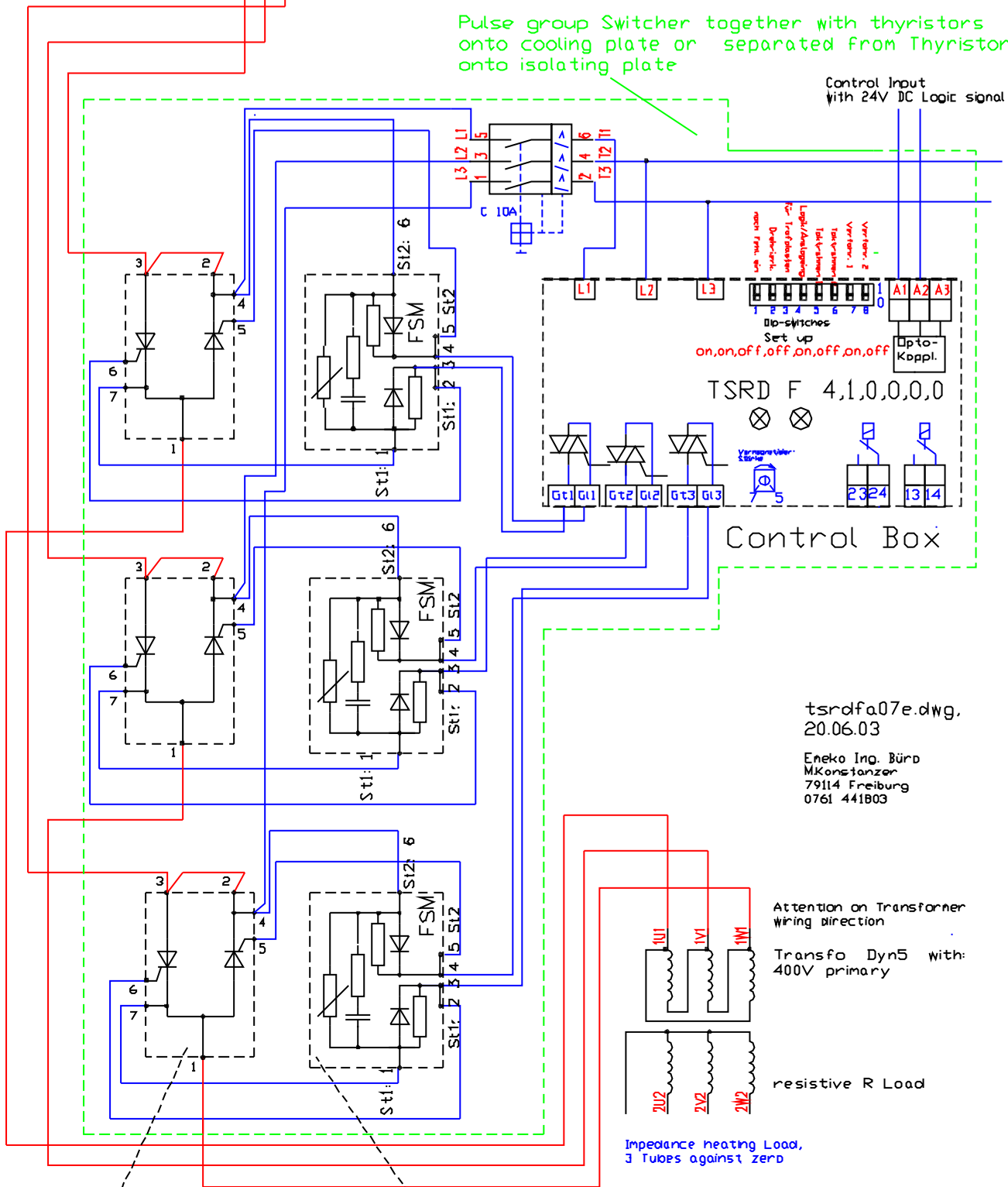
Thyristormoduls for 1200 V and 200A, nominal current onto Cooling plates.

red wires are dimensioned for nominal Current

blue wires are 1.5 mm wires short circuit installed

Pulse group Switcher together with thyristors onto cooling plate or separated from Thyristors onto isolating plate

Control Input with 24V DC Logic signal

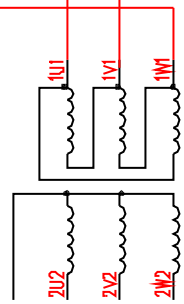


on,on,off,off,on,off,on,off
 Olo-schisches Set up
 Oпто-Koppl.
 TSRD F 4,1,0,0,0,0
 Verneinung

Control Box

tsrdfa07e.dwg,
 20.06.03
 Eneko Ing. Büro
 MKonstanzer
 79114 Freiburg
 0761 441803

Attention on Transformer wiring direction
 Transfo Dyn5 with: 400V primary



resistive R Load

Impedance heating Load, 3 Tubes against zero

Thyristormoduls Ignition print boards